



Specification Sheet

Genesis Pro – Acoustic Door Sealer Kit, PVC seal & Door Cover

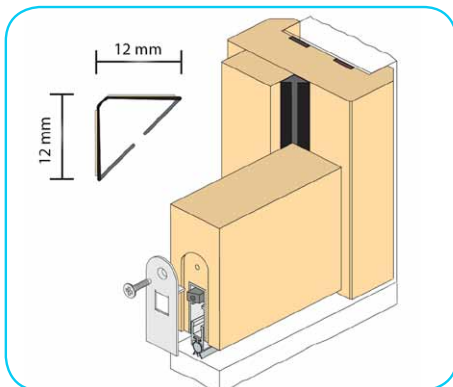
A neat, compact door stop frame seal which has proven to be an effective acoustic seal. It is quick and easy to install onto the door frame and is adjustable for a precision fit.

They are available in standard door set sizes.

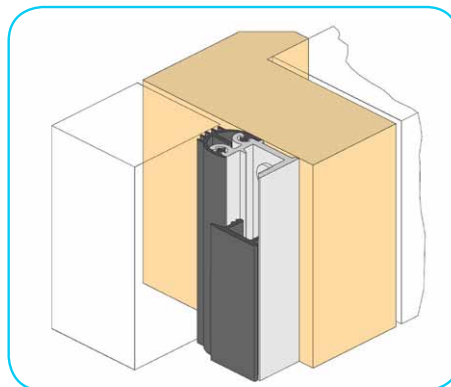
This kit seals the gaps on all four sides of the door, between:

- Jambs: 2 x 2100mm seals
- Head: 1 x 1000mm seal
- Bottom edge of the door: seal drops onto the floor when the door closes, 1 x 820 mm Aluminium profile

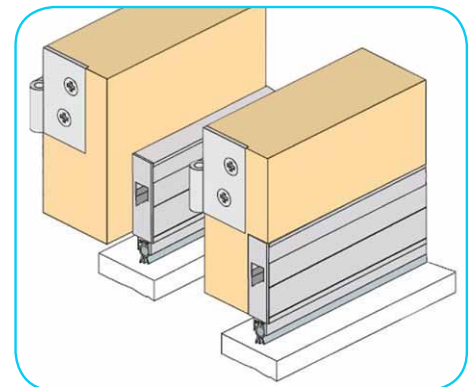
- Seals must be fitted on site & will need to be cut to size.
- Lead time: \pm 3 - 5 working days from date of order (quantity dependant).
- We deliver to any major centre.



Extruded PVC Acoustic Seal



Aluminium / Rubber Seals



Automatic Seal for Bottom Edge of Door

Extruded PVC Acoustic Seal

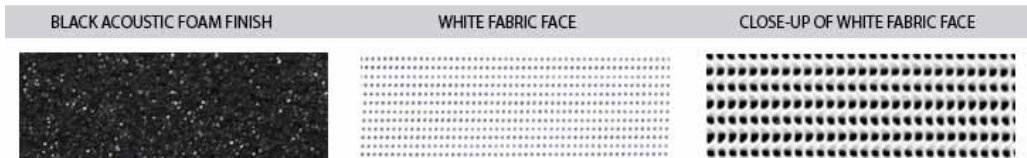
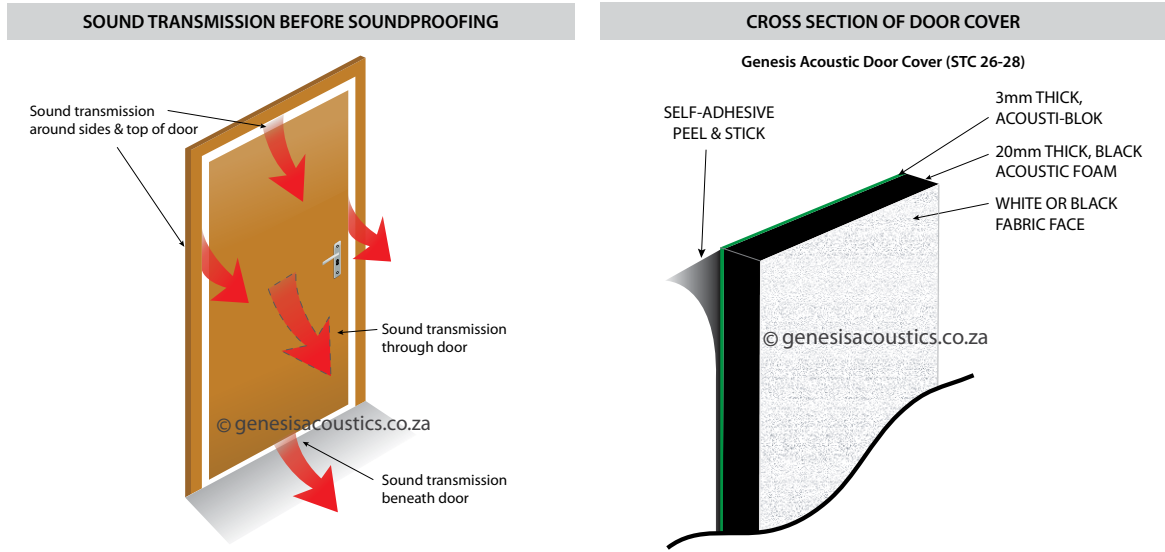
- Acoustic and smoke seal (Flame retardant)
- Discreetly located in the protected corners of rebated timber or steel door frames
- Located around rebated frames of single or double broad butt hinged doors & windows
- Dark Brown PVC finish - seals are rigid and flexible - have self adhesive backing tape for fixing
- Suitable for new and retrofit applications
- Min/ Max gap: 3mm to 5.5mm
- Seal sizes available in door set sizes



Specification Sheet

Acoustic Door Covers

Covers are available to reduce the transmission of sound through a door. These covers are self-adhesive, and consist of a 3mm thick layer of Acousti-Blok, 20mm thick layer of acoustic Foam with a white fabric finish.



SOLUTION TO SOUNDPROOF A DOOR

